



PHOENIX

SPECIFICATIONS

RADII

BASIN OUTLET SWIVEL 160MM SQUARELINE

PRODUCT CODE: RA070 CHR
 FINISH: CHROME
 WELS: 5 STAR - 5.0 LT/MIN

INFORMATION:

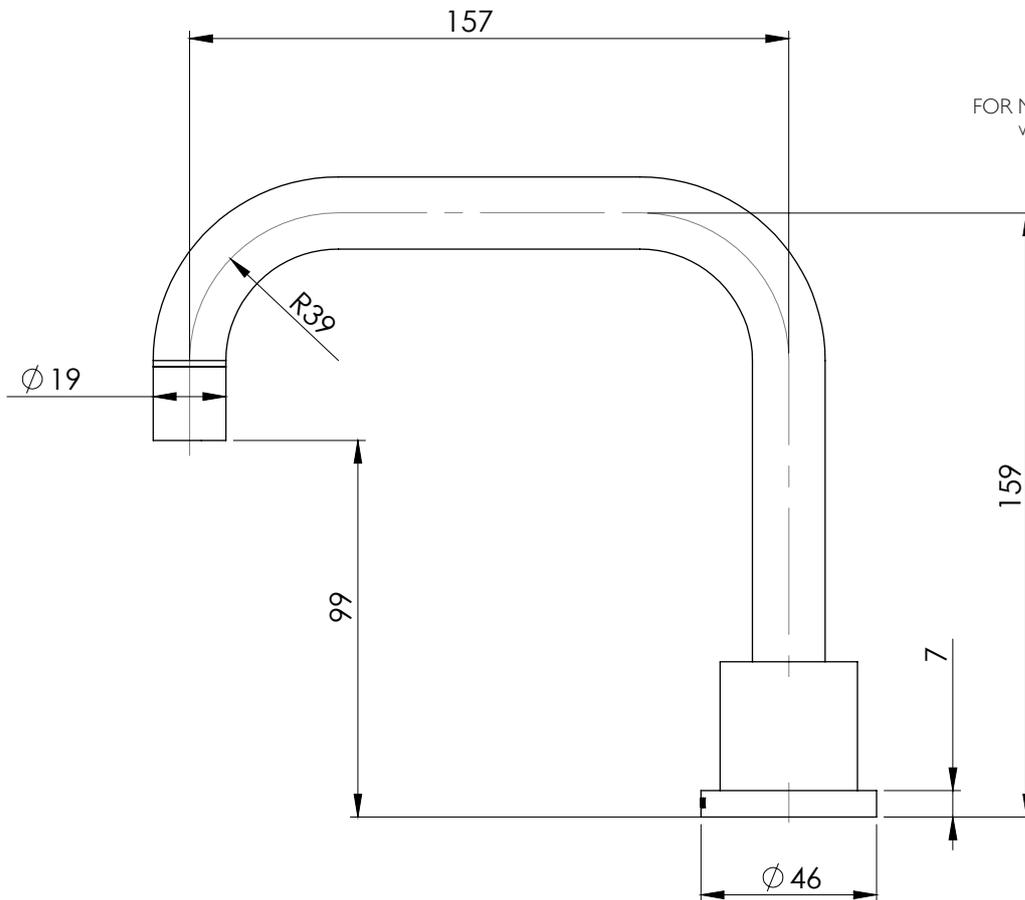
TEMPERATURE RATING: MIN 1° - MAX 75°
 PRESSURE RATING: MIN 150 kPa - MAX 500 kPa



AVAILABLE IN:



CHROME



FOR MORE INFORMATION VISIT www.phoenixtapware.com.au



PLEASE [CLICK HERE](#) TO VIEW FULL WARRANTY

While we aim to ensure the specifications shown are correct at time of printing, Phoenix Tapware reserves the right to make modifications without prior notice. Always use the physical product measurements for mark-ups and roughing-in as the line drawing shown may differ from the actual product over time. All measurements are shown in millimetres.

Radii is a Registered Trademark of Phoenix Industries Pty. Ltd.

V200617

www.phoenixtapware.com.au
03 9780 4200



PHOENIX

SPECIFICATIONS

RADII

BASIN OUTLET SWIVEL 160MM SQUARELINE

PRODUCT CODE:

RA070 CHR

FINISH:

CHROME

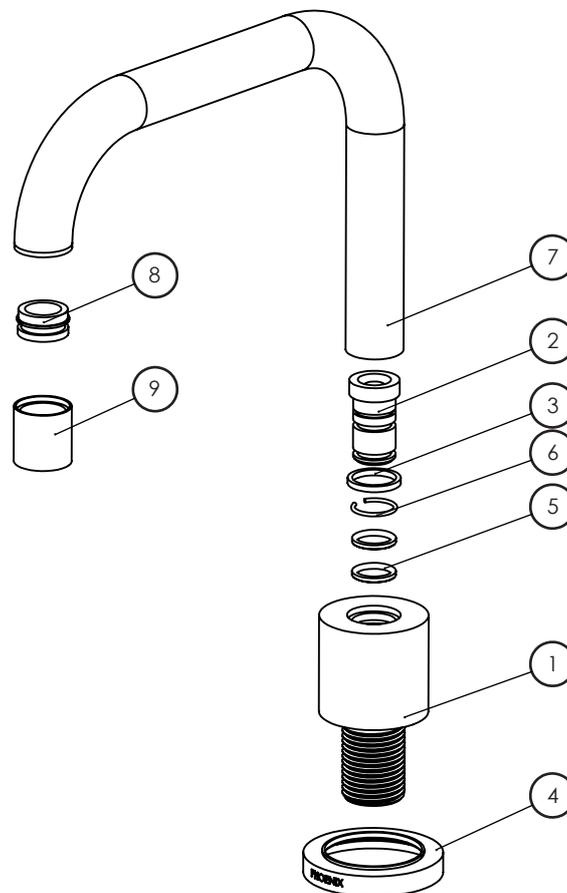
WELS:

5 STAR - 5.0 LT/MIN



PARTS LIST

1. BASIN FLANGE AND TAIL
2. SPOUT TAIL
3. NYLON WASHER
4. DRESS RING
5. O-RING
6. D-CLIP
7. SPOUT
8. NOZZLE ADAPTER
9. NOZZLE RETAINER



MAINTENANCE AND CARE:

- All surfaces should be cleaned with mild liquid detergent or soap and water.
- Do not use cream cleaners or citrus based cleaning products, as they are abrasive.
- Use of unsuitable cleaning agents may damage the surface. Any damage caused in this way will not be covered by warranty.

PACKAGING INCLUDES

- 1 x Basin outlet
- 1 x Installation instructions
- 1 x Warranty card

PLEASE [CLICK HERE](#) TO VIEW FULL WARRANTY

While we aim to ensure the specifications shown are correct at time of printing, Phoenix Tapware reserves the right to make modifications without prior notice. Always use the physical product measurements for mark-ups and roughing-in as the line drawing shown may differ from the actual product over time. All measurements are shown in millimetres.

Radii is a Registered Trademark of Phoenix Industries Pty. Ltd.

V200617

www.phoenixtapware.com.au
03 9780 4200